

# BUTTERFLY VALVE WITH HANDLE

## TECHNICAL PASSPORT

### BUTTERFLY VALVE - DUCTILE IRON BODY WITH HANDLE - BETWEEN FLANGES PN25

VP 4458-02

#### APPLICATION

VP butterfly valves are intended for ON/OFF or control use in fluid transfer circuits.

- **Area of use:** water treatment, pumpage, irrigation, industry.



- **Fluids :** cold water, hot water, lightly charged water, liquid discharges, compressed air, alkalis, sodium hydroxide, etc.  
«Not suitable for steam application»

#### GENERAL CHARACTERISTICS

**Range :** from DN40 to DN100.

- Design according to NF EN 593.
- Type with smooth ears
- Sealing in both directions of circulation of the piping.
- Soft sleeve guaranteeing a perfect tightness.
- Extended neck compatible with pipe lapping
- Disc profiled and reduced in thickness
- Reduced maneuvering torque.
- Coupling stem on disc assembled by conical pin.
- Reduced head losses.
- Notched sector providing 10 positions of adjustment of the handle.
- ISO 5211 mounting plate.



#### STANDARDS

<b>Design</b>	Manufacture according to the requirements of the European directive 2014/68/UE «Equipment under pressure»: modulate H.
<b>Face to face</b>	Face to face according to standards NF EN 558-1 série 20, ISO 5272 série 20, DIN 3202.
<b>Connection</b>	Mounting between flanges ISO PN25 according to EN1092-2.
<b>Tests</b>	Pressure test according to standards EN12266-1, DIN 3230 and ISO 5208: -Body : 37.5 bar -Seat : 27.5 bar

#### PRODUCT APPROVALS



#### Tecofi France

83 rue Marcel Mérieux - 69960 Corbas  
Tél. +33 (0)4 72 79 05 79 - Fax. +33 (0)4 78 90 19 19  
E-mail : sales@tecofi.fr - [www.tecofi.fr](http://www.tecofi.fr)

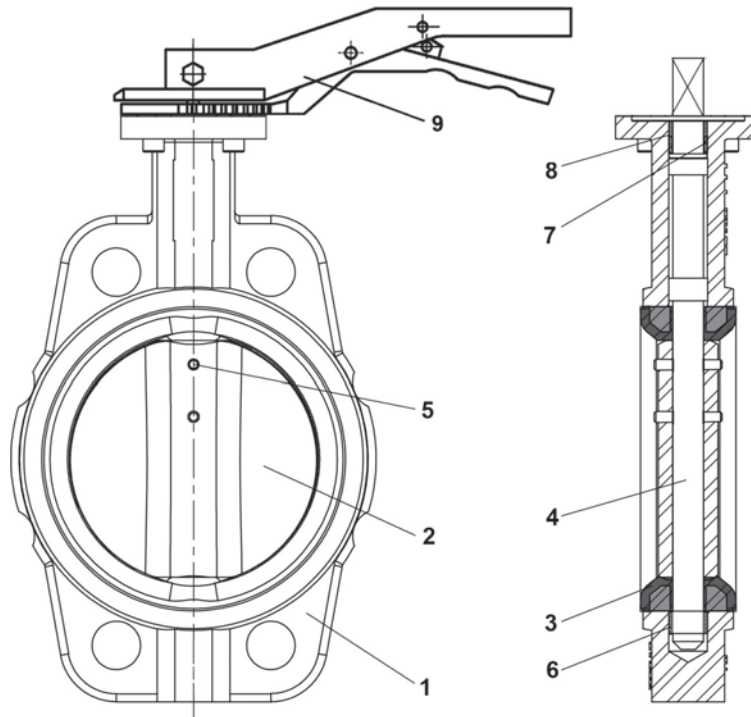


## BUTTERFLY VALVE WITH HANDLE

TECHNICAL PASSPORT

VP 4458-02

### CONSTRUCTION



Oven backed epoxy coated body RAL 5019 thickness 150μ

Pos.	Q-ty	Description	Material	Equivalences		
				DIN	ASTM	BS
1	1	Body	Ductile iron EN-GJS-500-7	GGG50	A536 80-55-06	EN-JS1050
2	1	Disc	Ductile iron EN-GJS-500-7	GGG50	A536 80-55-06	EN-JS1050
3	1	Sleeve	Heat EPDM			
4	1	Stem	Stainless steel 431			
5	2	Pin	Stainless steel 410	X12Cr13		
6	2	Bushing	Plastic + fiber			
7	2	Bushing	Plastic + fiber			
8	1	O ring	NBR			
9	1	Handle	Ductile iron			

**Tecofi France**

83 rue Marcel Mérieux - 69960 Corbas  
 Tél. +33 (0)4 72 79 05 79 - Fax. +33 (0)4 78 90 19 19  
 E-mail : sales@tecofi.fr - [www.tecofi.fr](http://www.tecofi.fr)

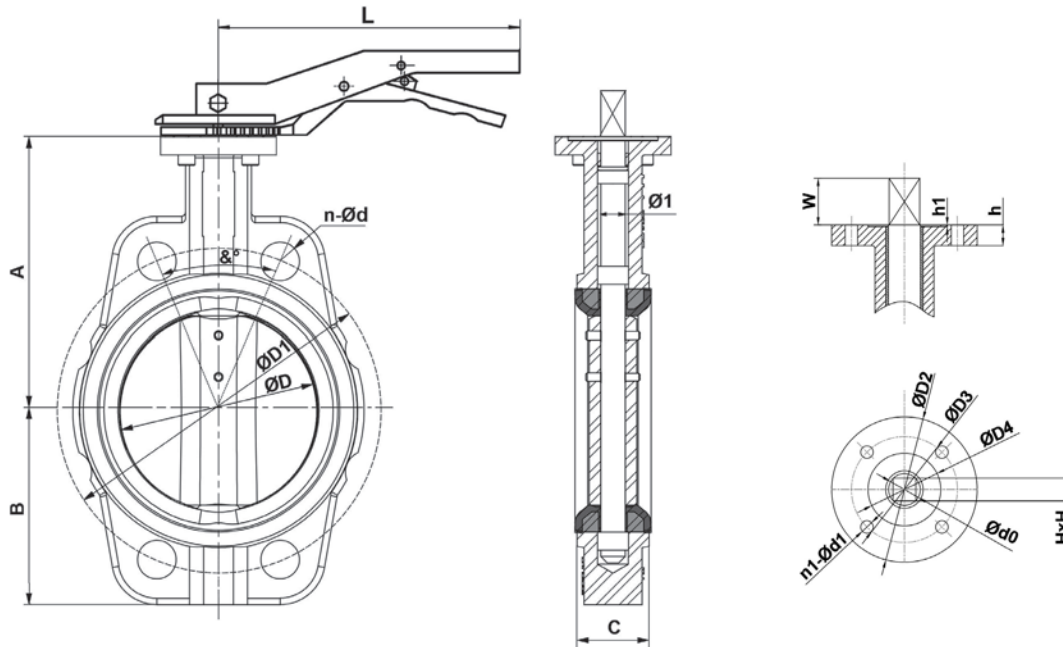


## BUTTERFLY VALVE WITH HANDLE

### TECHNICAL PASSPORT

VP 4458-02

#### DIMENSIONS



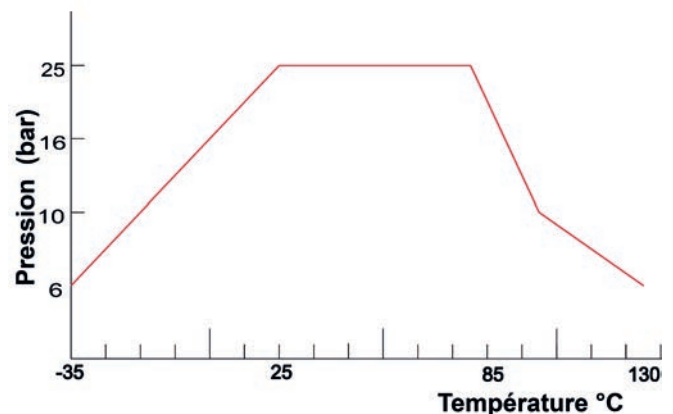
DN		A	B	C	ØD	ØD1	n-Ød	&°	Ø1	L	TOP FLANGE DIMENSIONS										Weight (kg)	
mm	inch										ISO	W	h	h1	n1-Ød1	ØD2	ØD3	ØD4	Ød0	HxH		Torque* (Nm)
40	1 1/2"	120	65	33	42,6	110	4-Ø19	90°	12,6	180	F05	32	12	3	4-Ø7	65	50	35	12,6	11*11	14	2.9
50	2"	140	70	43	52,7	125	4-Ø19	90°	12,6	220	F07	32	13	3	4-Ø10	90	70	55	12,6	11*11	15	3.5
65	2 1/2"	150	80	46	64,4	145	8-Ø19	45°	12,6	220	F07	32	13	3	4-Ø10	90	70	55	12,6	11*11	24	4.4
80	3"	158	100	46	78,9	160	8-Ø19	45°	12,6	220	F07	32	13	3	4-Ø10	90	70	55	12,6	11*11	36	5.2
100	4"	176	105	52	104,1	190	8-Ø23	45°	15,77	220	F07	32	13	3	4-Ø10	90	70	55	15,8	11*11	62	6.8

\* - Values without safety factor.

#### EPDM PRESSURE/TEMPERATURE GRAPH

#### WORKING CONDITIONS

Maximum working pressure : 25 bar  
 Maximum working temperature : -15°C / +130°C  
 Peak temperature : -30°C / +150°C



**Tecofi France**

83 rue Marcel Mérieux - 69960 Corbas  
 Tél. +33 (0)4 72 79 05 79 - Fax. +33 (0)4 78 90 19 19  
 E-mail : sales@tecofi.fr - [www.tecofi.fr](http://www.tecofi.fr)

